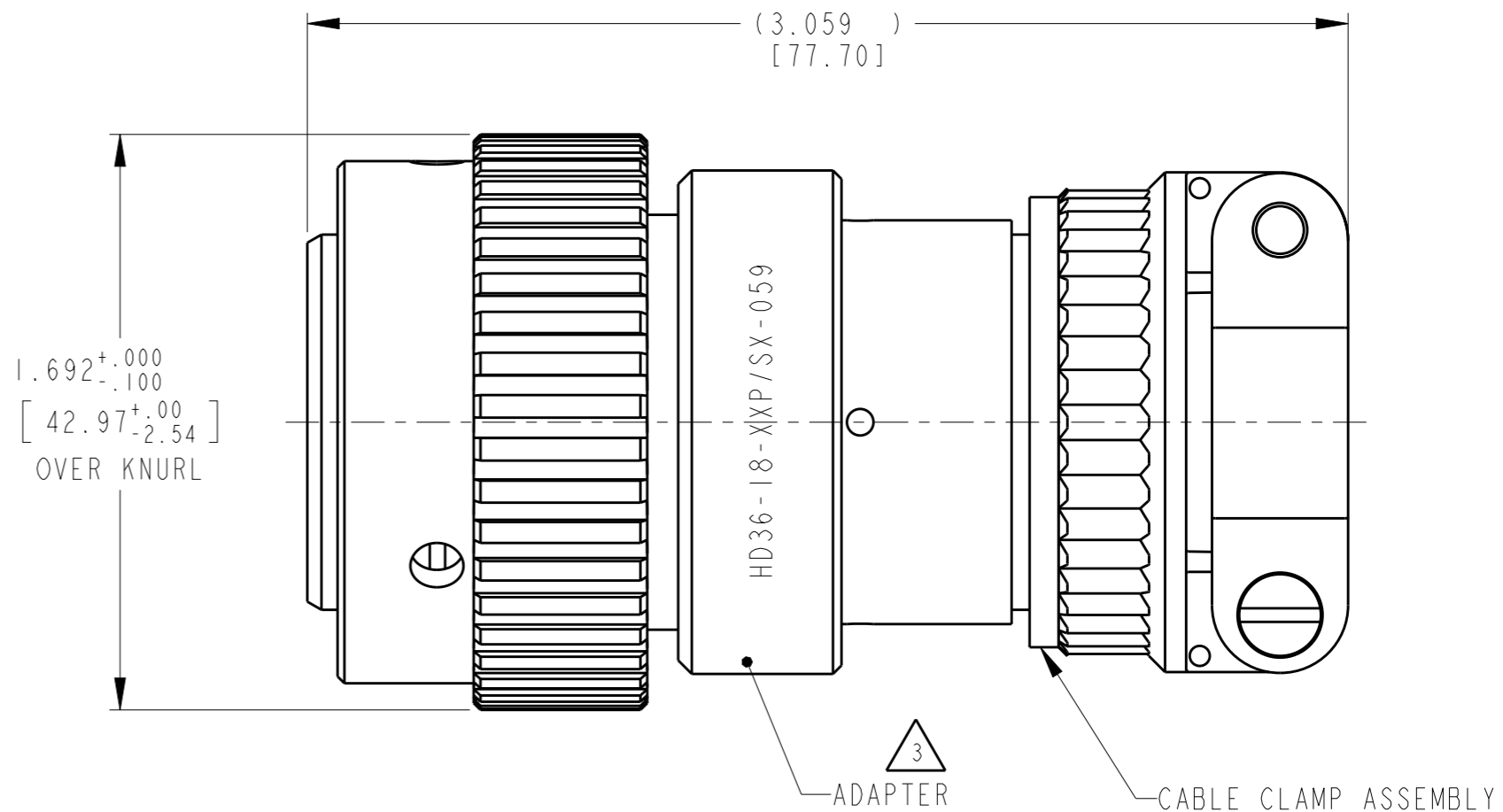
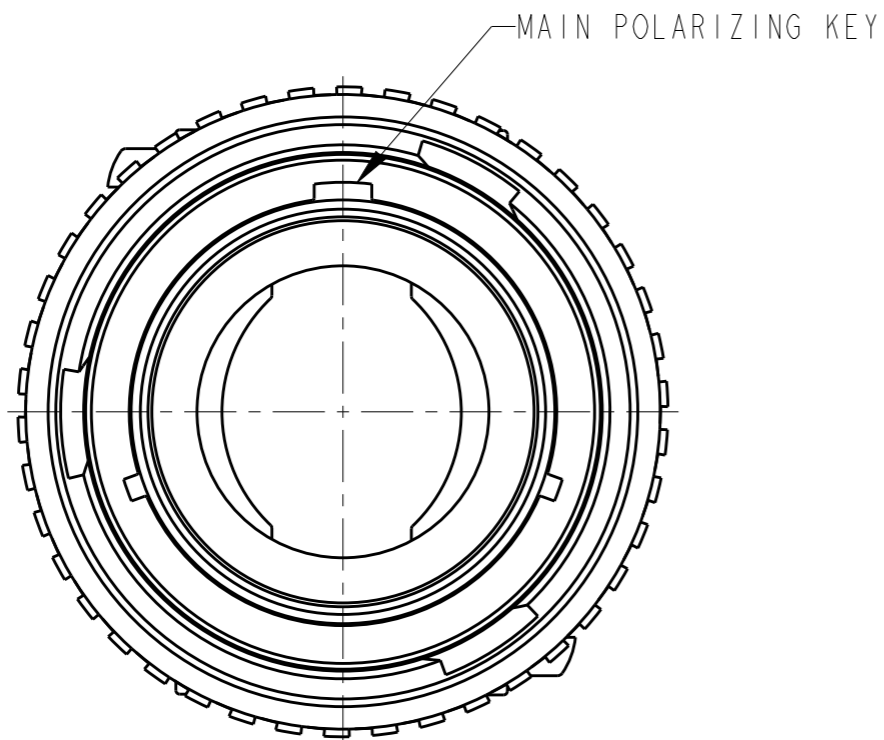
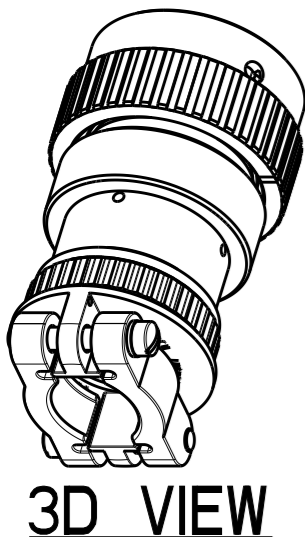


| LOC | DIST | REVISIONS   |                             |           |      |     |
|-----|------|-------------|-----------------------------|-----------|------|-----|
| P   | LTR  | DESCRIPTION | DATE                        | DWN       | APVD |     |
| -   | -    | NC          | NEW RELEASE PER E.O. P19474 | 12FEB2007 | -    | RDR |
|     |      | A           | REVISED PER E.O. P21009     | 19JUL2011 | -    | RDR |
|     |      | A1          | REVISED PER ECO-15-001798   | 19MAR2015 | VNB  | DM  |



3. MATERIAL:  
 ADAPTER: AL 6000 SERIES

2. THE CONNECTOR MATES WITH HD34-18-XXS/PX-XXXX  
 X = SEAL DESIGNATION, XX = NUMBER OF CAVITIES,  
 XXXX = MODIFICATION DESIGNATION.

1. FOR ARRANGEMENT OF CONTACT LOCATION SEE ENVELOPE DRAWING 0425-013-1800

NOTES:

|                                                                                         |             |                                   |                                                                                  |                |
|-----------------------------------------------------------------------------------------|-------------|-----------------------------------|----------------------------------------------------------------------------------|----------------|
| THIS DRAWING IS A CONTROLLED DOCUMENT.                                                  |             | DWN<br>A. MALAGON<br>08FEB2007    |                                                                                  |                |
| DIMENSIONS:<br>INCHES [mm]                                                              |             | CHK<br>B. BAYFORD<br>14JUL2011    |                                                                                  |                |
| TOLERANCES UNLESS OTHERWISE SPECIFIED:                                                  |             | APVD<br>S. BEARD<br>12JUL2011     | NAME<br>PLUG CONNECTOR SHELL SIZE 18<br>BAYONET COUPLING-059 MOD.<br>HD30 SERIES |                |
|                                                                                         |             | PRODUCT SPEC<br>0425-016-0000     | RESTRICTED TO                                                                    |                |
| 0 PLC ±-<br>1 PLC ±-<br>2 PLC ±-<br>3 PLC ±.010 [±.254]<br>4 PLC ±-<br>ANGLES ±° 30' 0" |             | APPLICATION SPEC<br>0425-015-0000 | SIZE<br>A3                                                                       | CAGE CODE<br>- |
| MATERIAL<br>SEE NOTE                                                                    | FINISH<br>- | WEIGHT<br>-                       | DRAWING NO<br>HD36-18-XXP/SX-059                                                 | SCALE<br>NONE  |
|                                                                                         |             | Customer Drawing                  | SHEET 1 OF 1                                                                     | REV A1         |